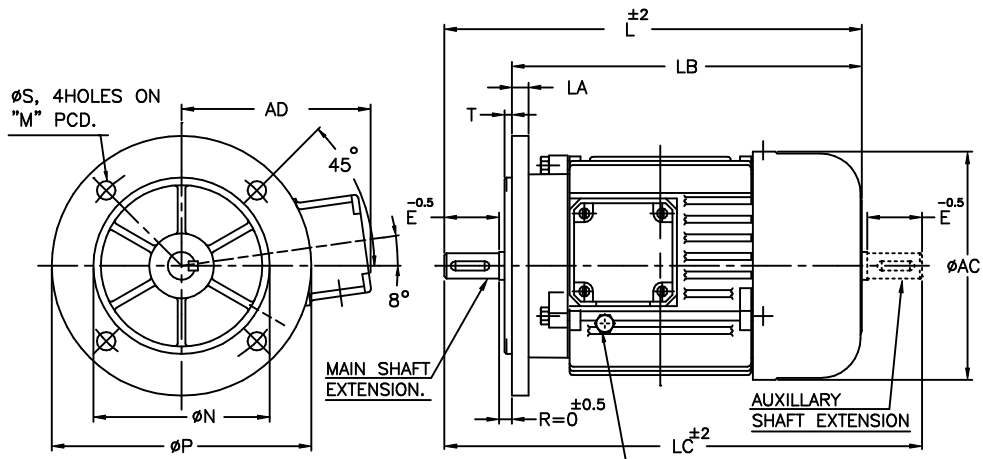


**UNMENTIONED TOLERANCES**

LINEAR DIMENSIONS (UP TO 1000)	0	6	315	1000
(MACHINED) (TOL.)	±0.2	±0.5	±0.8	±1.2
ANGLES	± 1/2°			

ALL INFORMATION CONTAINED IN THIS DOCUMENT IS CONFIDENTIAL AND THE PROPERTY OF KIRLOSKAR ELECTRIC CO.LTD. REPRODUCING OF THESE IN ANY FORM IS TO BE DONE WITH THE SPECIFIC PERMISSION OF THE COMPANY.

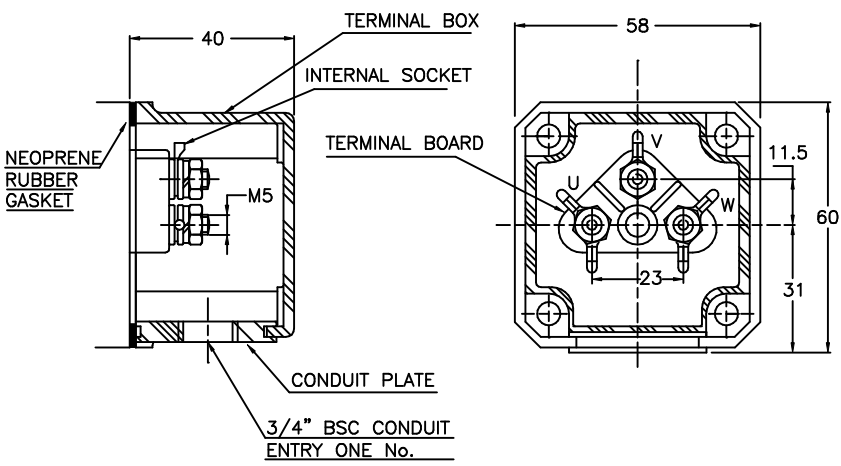
**DIMENSIONAL DRAWING**



**M6 FARTHING SCREWS**  
 2Nos. 1No. PER SIDE

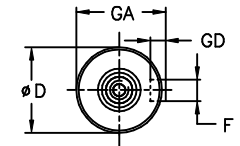
- NOTE :**
1. DIMENSIONS ARE AS PER IS:1231 & 2223
  2. DEGREE OF PROTECTION: IP:55.
  3. TOLERANCE ON 'D' : j6. TOLERANCE ON 'N' : j6.
  4. PROTECTED CENTRE HOLE AT SHAFT EXTENSION AS PER IS:2540.  
 "M4 X 16" FOR 'D'- ø11  
 "M5 X 12" FOR 'D'- ø14
  5. TERMINAL BOX CAN BE ROTATABLE THROUGH 360° IN STEPS OF 90°.
  6. KEY & KEYWAY ARE AS PER IS:2048 & TOLERANCE ON KEYWAY IS P9.

**TERMINAL BOX ARRANGEMENT**



**NOTE:** MAX. CABLE SIZE : MAIN-1x3Cx4 sqmm.

**DETAILS OF MAIN & AUXILIARY SHAFT EXTENSION**



SL. NO.	FRAME	D	E	F	L	LC	M	N	P	S	T	AC	AD	GA	GD	LA	LB
1	BPM 63	11	23	4	210	238	115	95	140	10	3	123	105	12.5	4	9	187
2	BPM 71	14	30	5	233	265	130	110	160	10	3.5	140	115	16	5	9	203

Z122600100JR

**SURFACE ROUGHNESS (MAX) AS PER KSD-02-027**

RM	50	12.5	25	1.6	3.2	6.3	0.2	0.4	0.8	0.025	0.05	0.1
OLD	✓	✓	✓	✓	✓	✓	✓	✓	✓	✓	✓	✓
NEW	✓	✓	✓	✓	✓	✓	✓	✓	✓	✓	✓	✓

UC: CHAM: RAD: UNMENTIONED

REV.	1	ZONE	0122209	DCN.No.	REDRAWN IN A NEW FORMAT.	SIGNATURE	DATE	10/01/09	PRINTS ISSUED TO	QA MARKETING PRODUCTION
8	7	6	5							

THIS SUPERSEDES ..... FROM dt ..... AS PER DCN No.....  
 THIS SUPERSEDED BY ..... FROM dt ..... AS PER DCN No.....

MATERIAL SPECIFICATION	RAW MATERIAL SIZE	WEIGHT kg	SCALE		
—	—	RM FIN.	—	NTS	
CASTING/FAB REF. —		No.P.S.: —			
USED ON		REDRAWN	CHECKED	STANDARD	APPROVED
BPM63 & 71		Sd/-	Sd/-	Sd/-	Sd/-
TITLE:		dt10/01/09	dt10/01/09	dt10/01/09	dt10/01/09
DIMENSION SHEET		32260098R1			
KIRLOSKAR ELECTRIC COMPANY LTD. HUBLI-580030 (INDIA)		SHEET ONE OF ONE			

FORM No. 02 201 028 (ISSUE 7)